






## SPEED DOME

INTELLIGENT HIGH SPEED DOME CAMERA  
SERIES FOR INDOOR AND OUTDOOR



AU-G60-S/W  
EVI-D70P  
RPU-C3522  
AU-G3-WT18  
AU-G3L-WT18

# Speed Dome



AU-G60-S/W  
EVI-D70P  
RPU-C3522  
AU-G3-WT18  
AU-G3L-WT18

## AU-G60-S/W INTELLIGENT HIGH-SPEED DOME CAMERA SERIES

### Basic Information

path memory  
privacy masking  
OSD  
alarm control

#### OUTDOOR



#### INDOOR



## Indoor (S-Serie)

AU-G60-SC18

(Sony module with 18x opt. zoom)

AU-G60-SB18

(Sony day/night module with 18x opt. zoom)

AU-G60-SB26

(Sony day/night module with 26x opt. zoom)

## Outdoor (W-Serie)

AU-G60-WC18

(Sony module with 18x opt. zoom)

AU-G60-WB18

(Sony day/night module with 18x opt. zoom)

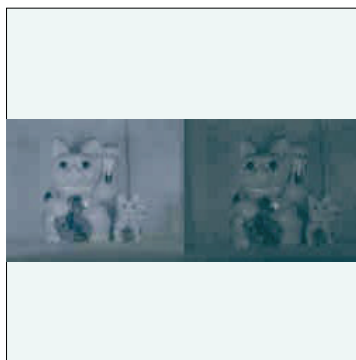
AU-G60-WB26

(Sony day/night module with 26x opt. zoom)



AU-G60 - W body

## IR Sensitivity



## ZOOM



The embedded ICR (Infrared Cutter Remover) mechanism and IR-sensitive CCD provide high contrast images in low-light environment.

AU-G60-S/W  
 EVI-D70P  
 RPU-C3522  
 AU-G3-WT18  
 AU-G3L-WT18

## AU-G60-S/W

### INTELLIGENT HIGH-SPEED DOME CAMERA SERIE

## Featuring

- Low-noise, high-speed PTZ device.
- Multiple controlling protocol supported.
- OSD (On Screen Display) configuration menu with password protection.
- Privacy mask.
- 80 Presets positions.
- 16 Tour / Sequence memory:
  - 4 x Pattern Tour (3 min./each)
  - 4 x programmable Tour with individual time/ speed/focus settings.
  - 4 x Auto Pan (between 2 presets)
  - 1 x 360° Auto Pan
  - 1 x 90°Auto Tilt
  - 1 x all-over scan with simultaneous pan-tilt swing.
  - 1 x static preset-tour from pos 1 to 16 with 4 sec. duration each.
- 4 alarm inputs with programmable preset call-up and 1 output.
- High precision mechanic construction with +/- 0.1 degree
- Auto-adjustment of P/T speed proportionally to zoom factor.
- Express-mount construction for a simple installation and quick maintenance.

## Dimensions

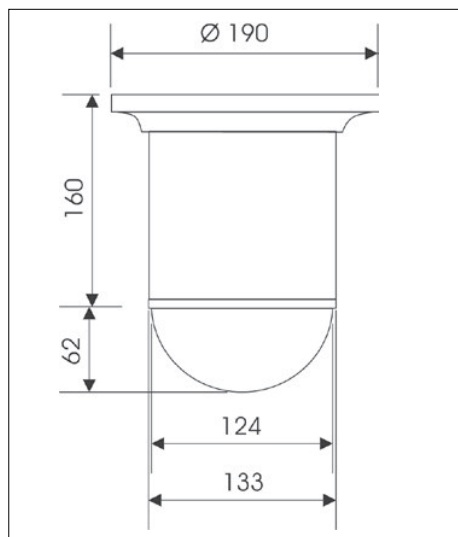


image: dimension for AU-G60-S  
 indoor camera

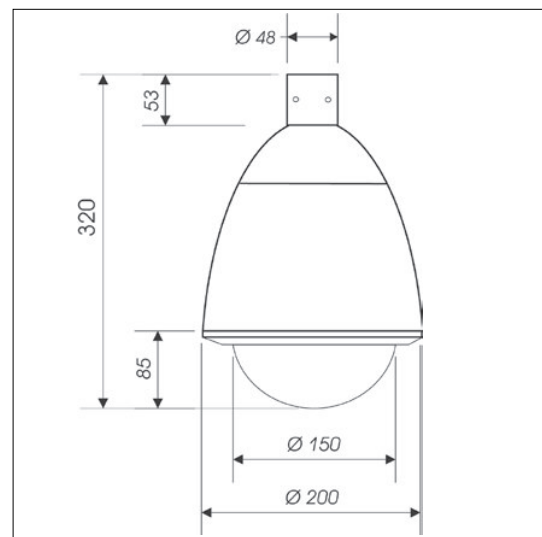


image: dimension for AU-G60-W  
 outdoor camera

## High lights



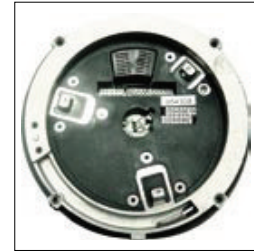
Aluminum Construction



Sony Original  
Zoom Camera



IP66 Water-proof



Multi-protocol Setting

### SPECIFICATION CAMERA/OPTICS

Model	AU-G60-SB26	AU-G60-SB18	AU-G60-SC18
	AU-G60-WB26	AU-G60-WB18	AU-G60-WC18
	Day/Night		Day/Night
Signal Format	PAL / NTSC		
Scanning	Progressive		
Image Sensor	1/4 inch Ex-View CCD		
Horizontal Resolution	470 TVL, 440K Pixels (PAL)		
Viewing Angle	54.2° (Wide end)	48.0° (Wide end)	48.0° (Wide end)
	2.2° (Tele end)	2.8° (Tele end)	2.8° (Tele end)
Lens / Digital Zoom	26x Opt./12x digital	18x Opt./12x digital	18x Opt./12x digital
Min. Illumination	Day:2.0Lx(1/50),0.14Lx(1/4)	Day:0.7Lx (1/50), 0.1Lx (1/4)	0.7 Lux (1/50 sec., Color)
	Night:0.7Lx(1/50),0.05Lx(1/4)	Night: 0.01Lx (1/4)	
Focus	Auto / Manual		
White Balance	Auto / Manual		
Shutter Speed (PAL)	1 to 1/10,000 sec.		
Iris Control	Auto / Manual		
Gain Control	Automatic / Off		
Video Output	1.0 Vp-p, 75 Ohm		
S/N Ratio	More than 50dB		
Pan Speed	0.5° - 300° per Sec.		
Tilt Speed	0.5° - 150° per Sec.		
Pan Range	360°		
Tilt Range	0 - 90°		
Communication	RS-485, multiple-protocol		
Preset Positions	80 Presets		
Auto Pan	Yes, between 2 presets		
Tour / Sequence	4 progr. Tours / 4 Pattern		
Alarm inputs	4 inputs / 1 output		
Operating Temperature	Indoor: -10°C to 40°C		
Power Consumption	24V AC / 24-40 VA		